

UV CoastalOpt® SLR Lens

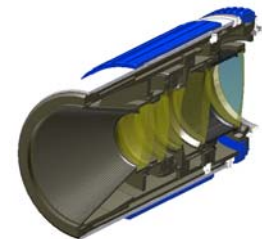
coastalOpt®



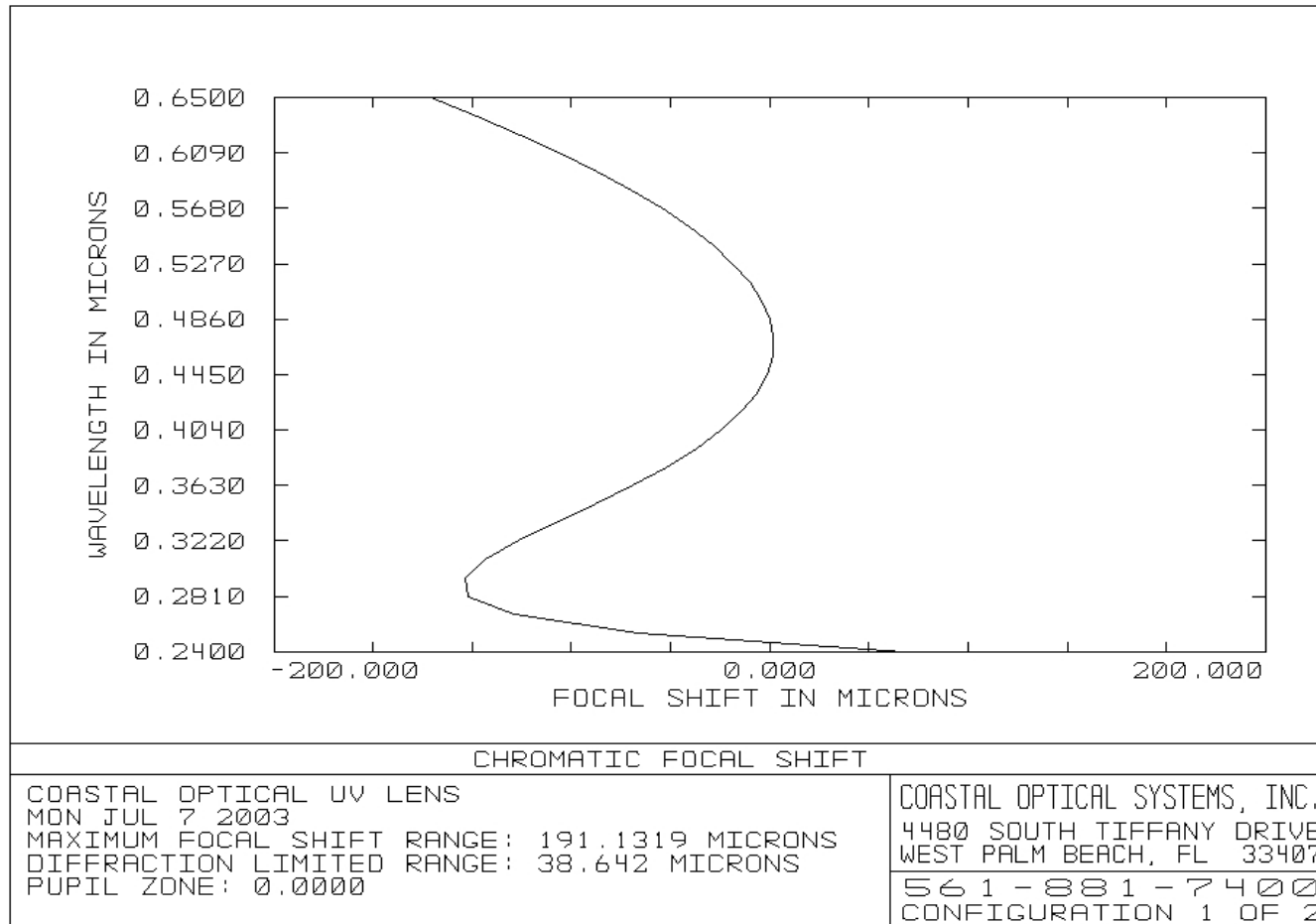
250 nm - 650 nm



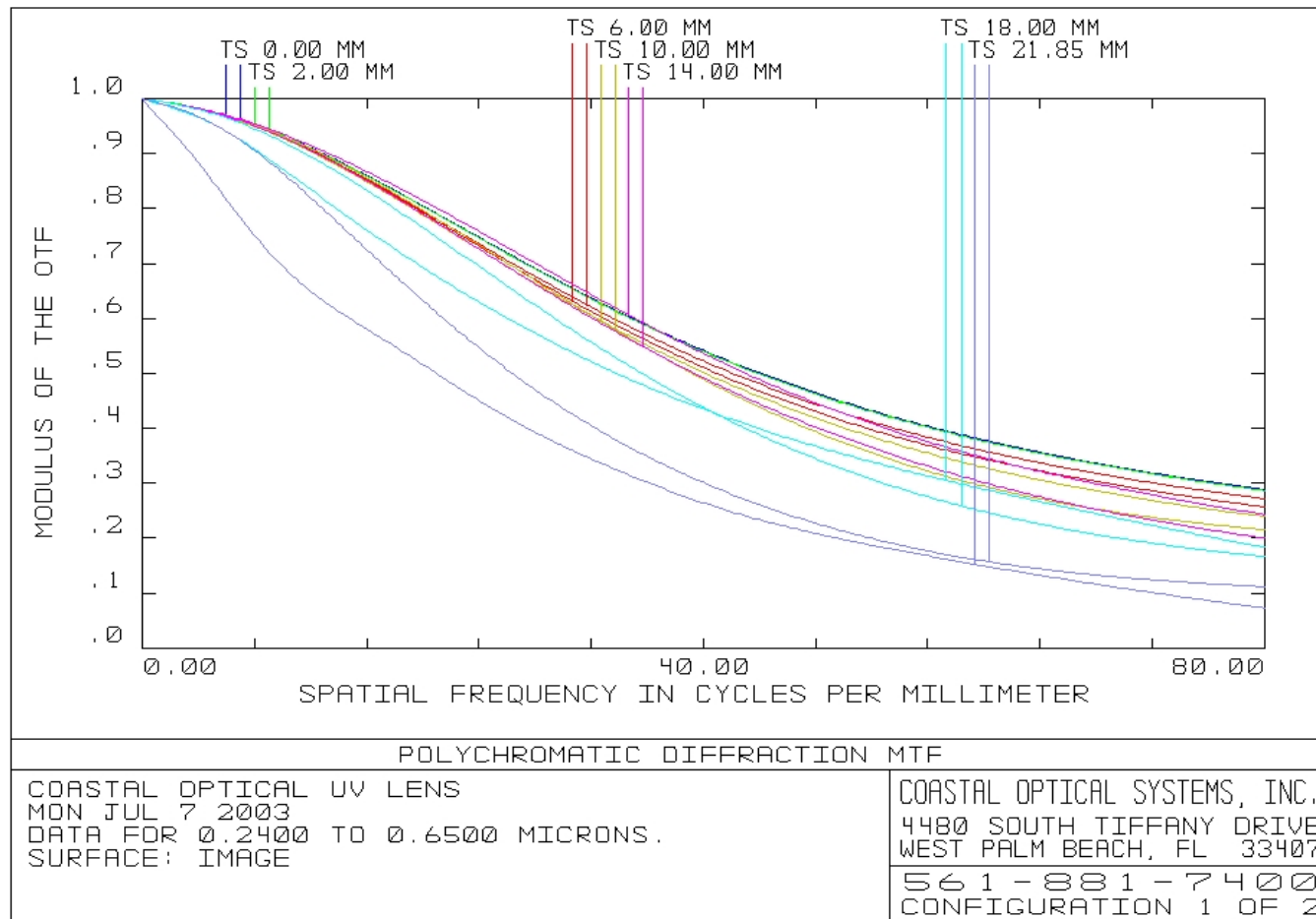
- 105mm f/4.5 lens
- Apochromatic
- Macro lens
- Manual focus (0.5 m – infinity)
- Nikon F-Mount
- **250 nm to 650 nm** range
- 52 mm Filter Mount
- Aperture (4.5 - 32)



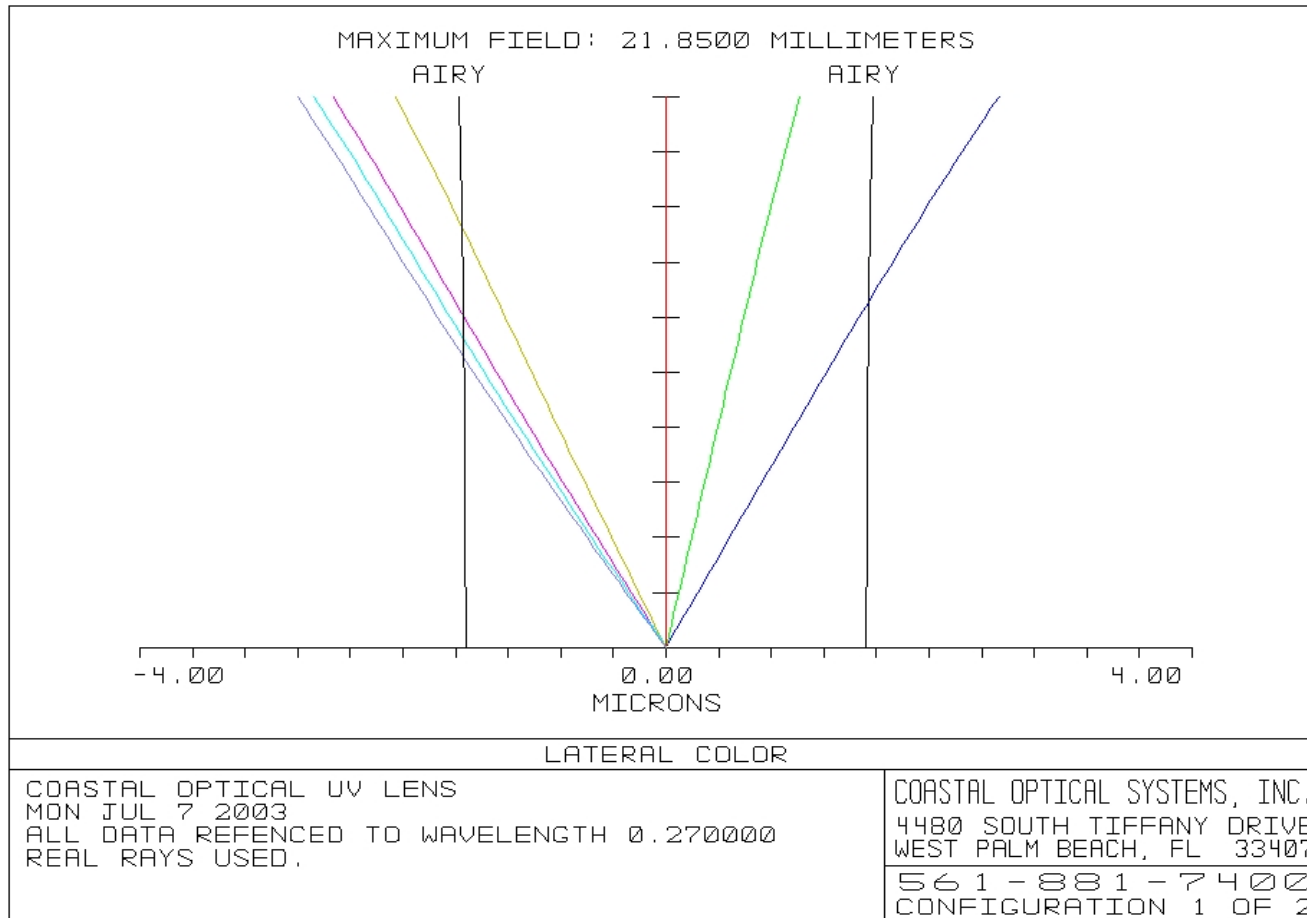
-Chromatic Focal Shift



-Polychromatic MTF



-Lateral Color (240 nm - 650 nm)

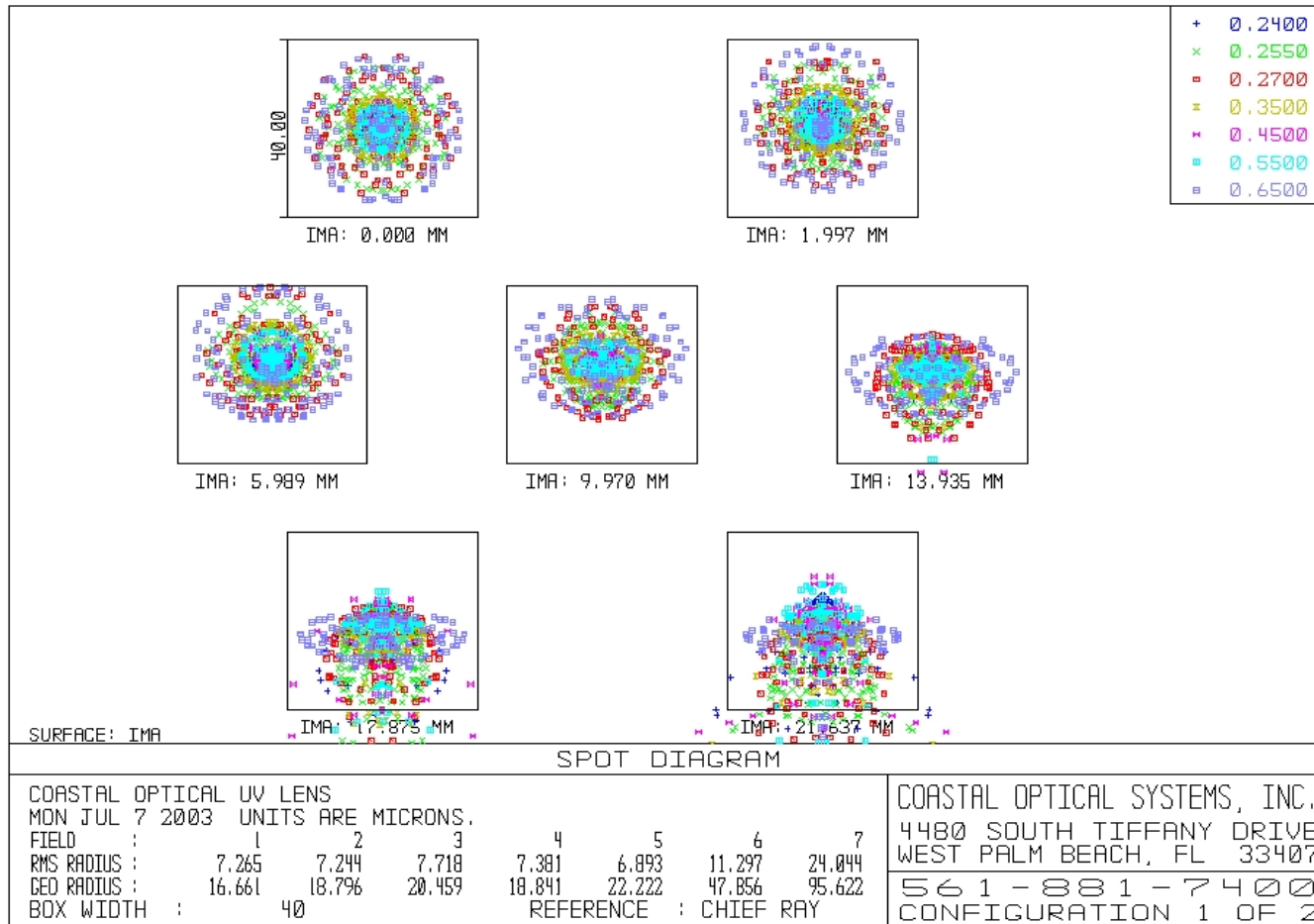


UV CoastalOpt® SLR Lens

coastalOpt®



-Spot Diagram

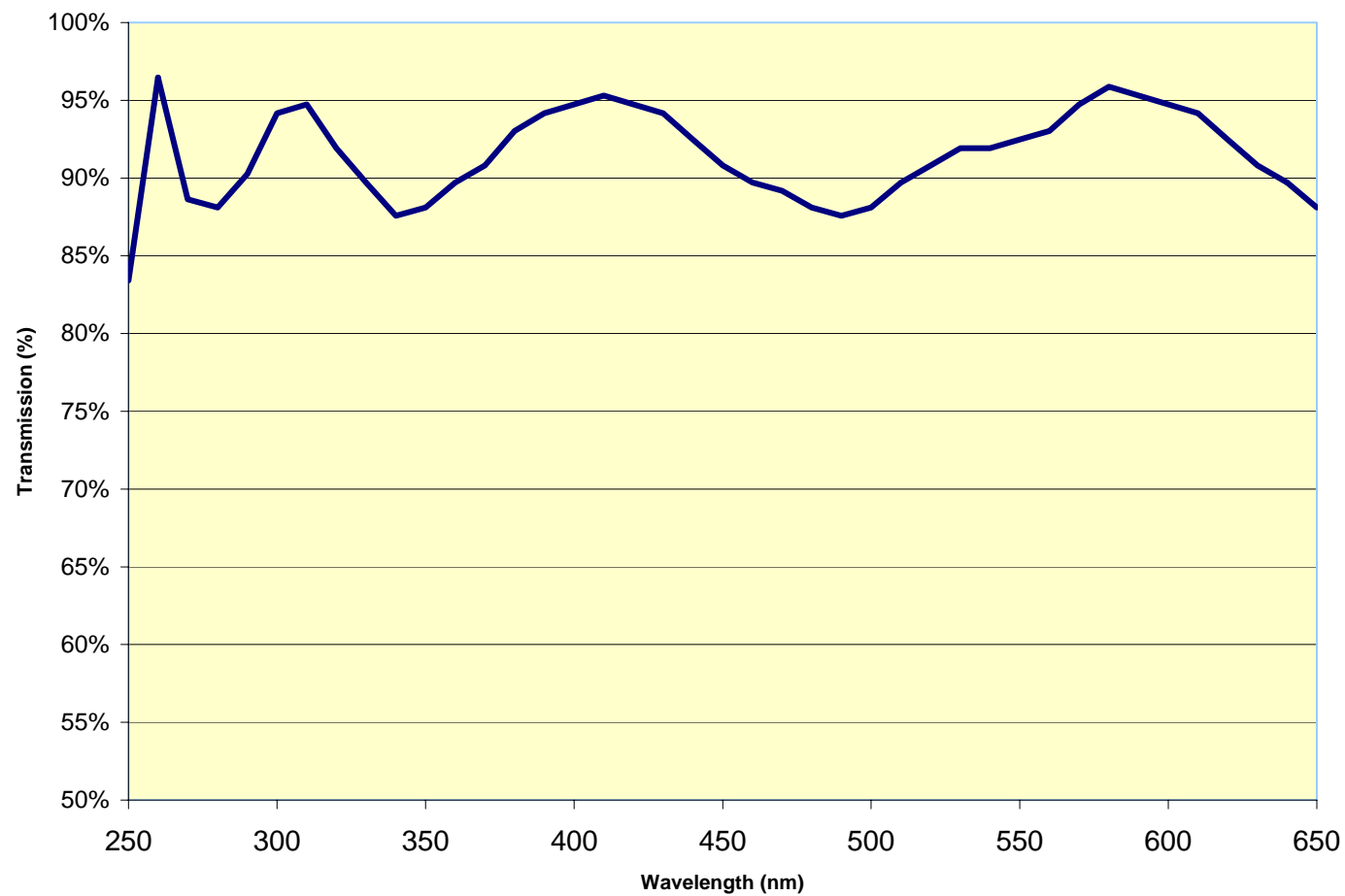


UV CoastalOpt® SLR Lens

coastalOpt®



-Transmission Curve

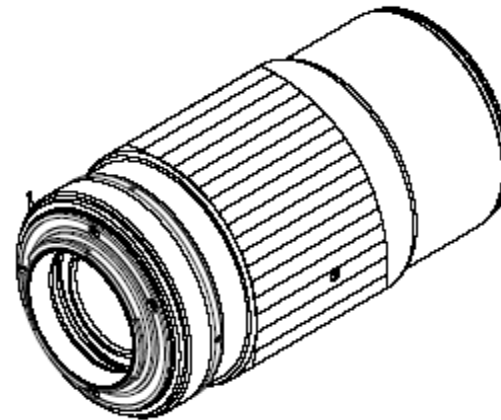
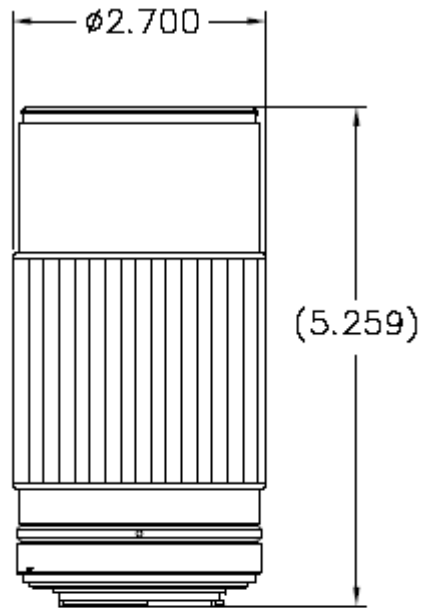


UV CoastalOpt® SLR Lens

coastalOpt®



-Mechanical Dimensions



UV CoastalOpt® SLR Lens

coastalOpt®



UVC - VIS color corrected lens introduce at Photonics West



January 28, 2003 (West Palm Beach, FL) Coastal Optical Systems, Inc. (www.coastalopt.com) has introduced a high performance color corrected lens for the ultraviolet-C through the visible wavelength range (250 nm – 650 nm). The single lens allows capturing both UV and visible images without a focus adjustment for the color shift. The lens can be used for applications below 250 nm with narrow band filters. Initially, Nikon or C-mount versions are offered.

The lens was developed to use with the increasingly ultraviolet sensitive CCD's offered in the marketplace. Expected applications are include security, biological characterization, combustion analysis, forensics and professional photography.

Coastal Optical Systems, Inc., founded in 1991, designs and manufactures custom lens assemblies for aerospace and defense, machine vision, metrology, digital imaging, projection, and optical networking applications.